

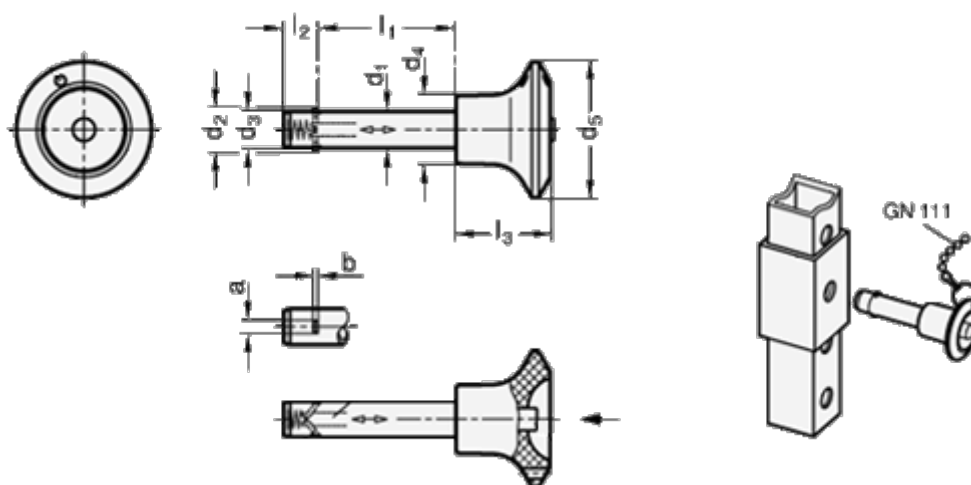
# Data Sheet



Article number: 2011461635

Description: E+G Stainless steel lock pin  
GN 114.6-16-35

## Measures



a = 113.0

d1 = 16

d2 = 19.9

d3 = 15.9

d4 = 22.0

d5 = 40

l1 = 35

l2 = 14.2

l3 = 32

Resilience (N) = 5